



The Heart of Industry

**IWAKI**

IWAKI  
DIRECT  
DRIVE PUMPS

**NRD**



Solutions for chemical handling applications

# High performance canned pumps for a wide variety of uses

NRD series models are small canned motor centrifugal pumps powered by brushless DC motors. They are incredibly compact, lightweight, quiet and feature seal less construction designed to eliminate the potential for leakage. The models in the NRD series offer a wider range of options with their flow adjustment feature (DC 1 to 5V), support for high-temperature liquid 0°C to 80°C, and capacity to be installed in areas with high ambient temperature 0°C to 50°C.

## Seal-less design

The pumps are equipped with a small, lightweight canned motor encapsulated in resin. This construction requires less space than magnet pumps, while the seal-less design prevents liquid leakage.

## Multiple connection types

There are three different port connection options available, Hose Barb, NPT Thread or R Thread. Select the option that best fits your location and installation.

## Long life

A Brushless DC motor is employed as the pump drive. This motor design eliminates pump/motor failures due to brush wear, ensuring a service life equal to AC motors.

## Readily compliant with international standards

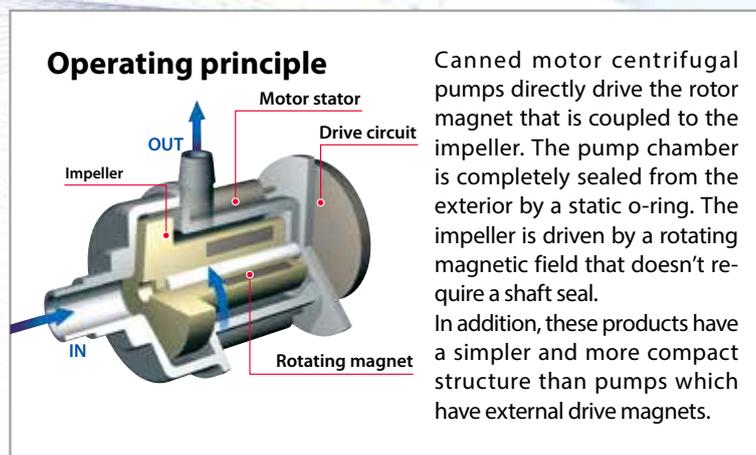
The NRD series power voltage is classified as safety voltage (50V or less), which allows the user to easily comply with international standards such as UL, CSA, CE and GS. The DC power supply does not have a region-specific voltage or frequency, allowing for unified usage.

## Flow adjustment feature and built-in drive technology

An external input signal (DC 1 to 5V) can be used to vary the flow rate. The NRD series models are also equipped with a built-in motor drive circuit. With this circuit, the power can be connected to variable external input to operate the pump.

## High temperature environments

The pump can be installed in an environment with an ambient temperature of up to 50°C (08Z: 40°C). It can also pump fluids as warm as 80°C (08Z: 50°C).



NRD-05/08/08Z  
Hose type



NRD-05/08/08Z  
Thread type



NRD-12  
Hose type

## Typical applications

**Fuel cells** : Cogeneration systems (cooling and circulation)

**Medical** : Biochemical analysis, Cooling systems, Patient temperature management medical equipment, Cooling for laser treatment

**Physical/chemical analysis** : Thermostats, Pure water equipment, Different types of analyzers

**Vending machines** : Dispensers

**Photo** : Automatic film developing machines, X-ray film developing machines

**Semiconductors** : Semiconductor cooling systems

**Surface treatment** : Small plating machines

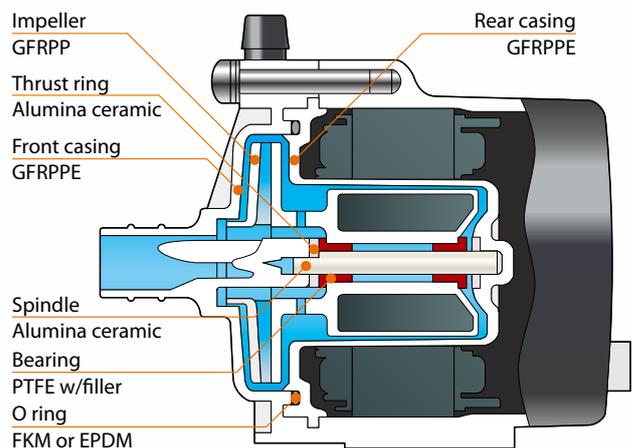
**Solar power systems** : Electric water heaters, Solar battery heat collectors

**Electric cars** : Radiators, Heaters

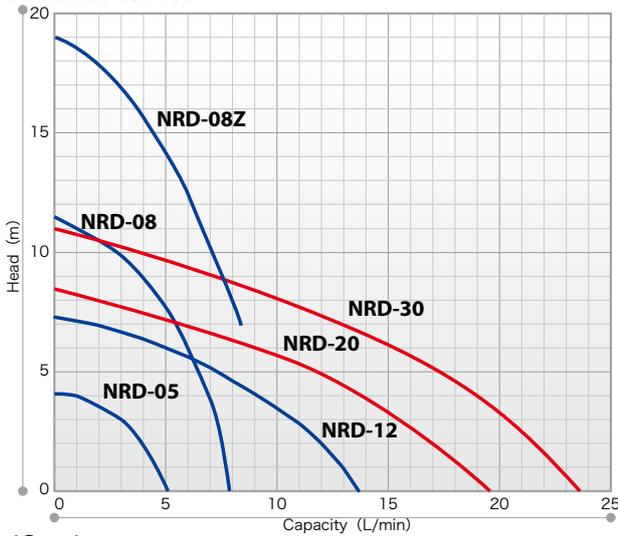


NRD-20/30  
Thread type

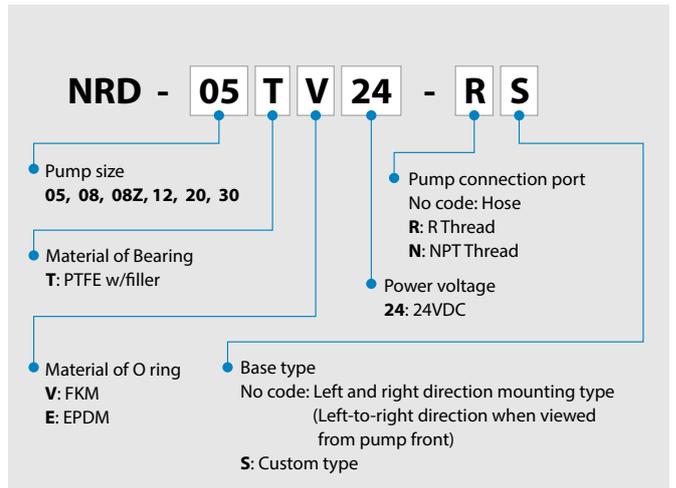
### Wet end materials



**Performance curves**



**Pump identification**



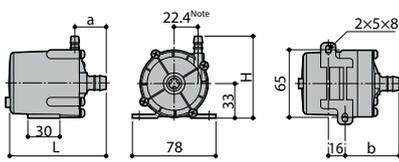
**Specifications**

Model	Connection sizes mm		Max. Capacity L/min	Max. Head <sup>Note1</sup> m	Noise <sup>Note2</sup> dB	Limit of specific gravity	Motor		Mass kg
	IN	OUT					Power voltage V	Output W	
NRD-05	14	8	5.1	4.1	up to 40	1.07	DC24	6	0.4
	R3/8	R1/8							
	NPT3/8	NPT1/8							
NRD-08	14	8	7.9	11.5	up to 45	1.07	DC24	22	0.4
	R3/8	R1/8							
	NPT3/8	NPT1/8							
NRD-08Z	14	8	8.0	19	up to 45	1.07	DC24	33	0.4
	R3/8	R1/8							
	NPT3/8	NPT1/8							
NRD-12	18	18	13.6	7.4	up to 45	1.07	DC24	17	0.4
	R3/8	R3/8							
	NPT3/8	NPT3/8							
NRD-20	21	17	19.5	8.5	up to 55	1.0	DC24	28	1.2
	R1/2	R3/8							
	NPT1/2	NPT3/8							
NRD-30	21	17	23.5	11	up to 55	1.0	DC24	45	1.2
	R1/2	R3/8							
	NPT1/2	NPT3/8							

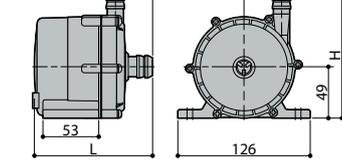
Note1: The numerical values listed in the table represent the average performance values for when NRD series models are shipped from the factory. The individual differences between models may result in an error discrepancy of ±10%.  
 Note2: Noise was measured at a location 1 meter away from pump front, using the A scale.  
 • Test performance using pure water at room temperature.  
 • The maximum discharge rate is the discharge rate for when the pump head is at 0 meters and the maximum pump head is based on the shut-off total head.  
 • The viscosity limit of the working fluid is up to 1.0 mPa·s (with specific gravity of NRD-05/08/08Z/12: 1.07 pm, NRD-20/30: 1.0 pm).  
 • Specifications/Environmental conditions Ambient temperature: 0°C to 50°C (08Z: 0°C to 50°C), Relative humidity: 35% to 85% RH  
 Please note that the above conditions vary depending on working liquid and heat cycle specifications.

**Dimensions (mm)**

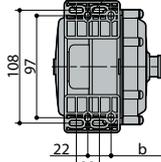
NRD-05/08/08Z/12 Right and left direction mounting type



NRD-20/30



NRD-05/08/08Z/12 Right and left direction mounting type



NRD-05/08/08Z/12 Right and left direction mounting type

Specification	H	L	a	b
Hose	78(84)	91(92.5)	29.5(31)	50.5(52)
R Thread	75.5(84)	90.5(92.5)	29(31)	50(52)
NPT Thread	75.5(84)	90.5(92.5)	29(31)	50(52)

Note: ( ) dimensions are NRD-12.

NRD-20/30

Specification	H	L	a	b	c
Hose	119	112	35	59.5	70.5
R Thread	115	107	30	54.5	65.5
NPT Thread	115	107	30	54.5	65.5

**IWAKI CO., LTD.** 6-6 Kanda-Sudacho 2-chome Chiyoda-ku Tokyo 101-8558 Japan TEL: (81)3 3254 2935 FAX: 3 3252 8892

IWAKI has global net work. Please find your distributor location at [www.iwakupumps.jp](http://www.iwakupumps.jp)

European office : **IWAKI Europe GmbH**  
 Germany : **IWAKI Europe GmbH**  
 Holland : **IWAKI Europe GmbH** (Netherlands Branch)  
 Italy : **IWAKI Europe GmbH** (Italy Branch)  
 Spain : **IWAKI Europe GmbH** (Spain Branch)  
 Belgium : **IWAKI Belgium N.V.**  
 Denmark : **IWAKI Nordic A/S**  
 Finland : **IWAKI Suomi Oy**  
 France : **IWAKI France S.A.**  
 Norway : **IWAKI Norge AS**  
 Sweden : **IWAKI Sverige AB**  
 U.K. : **IWAKI Pumps (UK) Ltd.**

TEL: (49)2154 9254 0 FAX: 2154 9254 48  
 TEL: (49)2154 9254 50 FAX: 2154 9254 55  
 TEL: (31)74 2420011 FAX: (49)2154 925448  
 TEL: (39)0444 371115 FAX: 0444 335350  
 TEL: (34)93 37 70 198 FAX: 93 47 40 991  
 TEL: (32)13 67 02 00 FAX: 13 67 20 30  
 TEL: (45)48 24 2345 FAX: 48 24 2346  
 TEL: (358)9 2745810 FAX: 9 2742715  
 TEL: (33)1 69 63 33 70 FAX: 1 64 49 92 73  
 TEL: (47)23 38 49 00 FAX: 23 38 49 01  
 TEL: (46)8 511 72900 FAX: 8 511 72922  
 TEL: (44)1743 231363 FAX: 1743 366507  
 ( ) Country codes

U.S.A. : **IWAKI America Inc.**  
 Argentina : **IWAKI America Inc.** (Argentina Branch)  
 Brasil : **IWAKI Do Brasil Comercio De Bombas Hidraulicas Ltda.**  
 Singapore : **IWAKI Singapore Pte Ltd.**  
 Indonesia : **IWAKI Singapore** (Indonesia Office)  
 Malaysia : **IWAKI Sdn. Bhd.**  
 Australia : **IWAKI Pumps Australia Pty Ltd.**  
 Hong Kong : **IWAKI Pumps Co., Ltd.**  
 China : **GFIZ IWAKI Engineering & Trading Co., Ltd.**  
 : **IWAKI Pumps (Shanghai) Co., Ltd.**  
 Korea : **IWAKI Korea Co., Ltd.**  
 Taiwan : **IWAKI Pumps Taiwan Co., Ltd.**  
 Thailand : **IWAKI (Thailand) Co., Ltd.**

TEL: (1)508 429 1440 FAX: 508 429 1386  
 TEL: (54)11 4745 4116  
 TEL: (55)19 3244 5900 FAX: 19 3244 5900  
 TEL: (65)6316 2028 FAX: 6316 3221  
 TEL: (62)21 6906606 FAX: 21 6906612  
 TEL: (60)3 7803 8807 FAX: 3 7803 4800  
 TEL: (61)2 9899 2411 FAX: 2 9899 2421  
 TEL: (852)2607 1168 FAX: 2607 1000  
 TEL: (86)20 84350603 FAX: 20 84359181  
 TEL: (86)21 6272 7502 FAX: 21 6272 6929  
 TEL: (82)2 2630 4800 FAX: 2 2630 4801  
 TEL: (886)2 8227 6900 FAX: 2 8227 6818  
 TEL: (66)2 322 2471 FAX: 2 322 2477

**Caution for safety use:** Before use of pump, read instruction manual carefully to use the product correctly.

**Legal attention related to export.**

Our products and/or parts of products fall in the category of goods contained in control list of international regime for export control. Please be reminded that export license could be required when products are exported due to export control regulations of countries.

The posting and copying from this catalogue without permission is not accepted firmly.